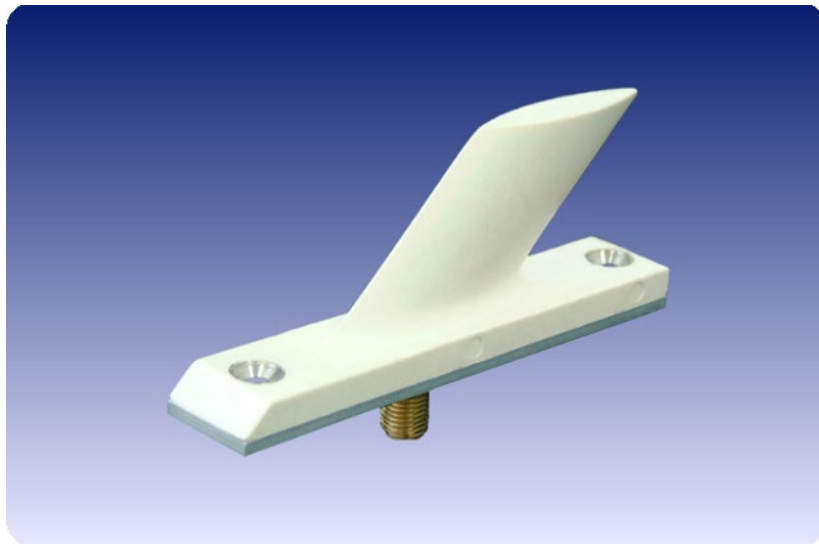


S-Band Airborne Antenna

S2400B

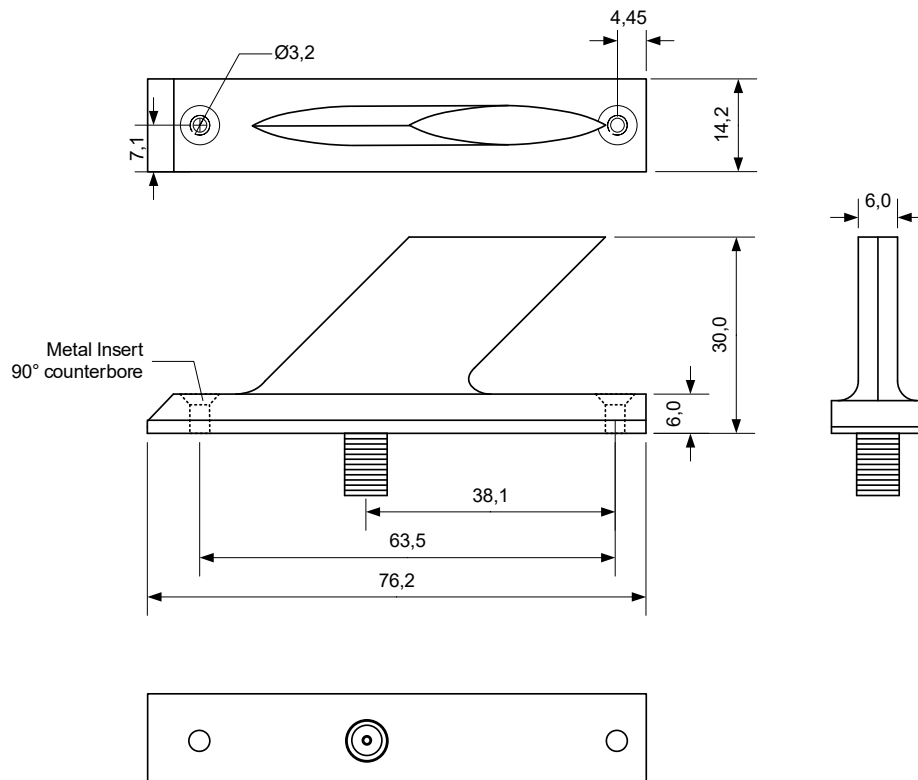


Highlights

- ➔ Rugged, airborne design
- ➔ For aircrafts, helicopters, UAV's
- ➔ 20 W CW
- ➔ omni-directional
- ➔ Wide bandwidth
- ➔ Wide Temperature range
- ➔ Made in Germany

Technical Data:

Center Frequency	2,000 to 2,500 MHz
Bandwidth	200 MHz
Gain	0 dBi
Polarization	linear
Input Impedance	50 Ohm
Input VSWR	better than 1,5 : 1
RF-Power	20 Watt cw
RF-Connector	SMA-female
Temperature Range	-55°C to +150°C, operating -65°C to +200°C, non-operating
Material	stainless steel Radome: PEEK
Dimensions	76.2 x 14.2 x 30 mm (L x B x H)
Weight	approx. 32 grams



Specifications subject to change without notice.

